

**SCHRAUBE**

- ①  $\phi 3.5 \times 70$  18Pcs
- ②  $\phi 3.5 \times 60$  31Pcs
- ③  $\phi 3.5 \times 35$  19Pcs
- ④  $\phi 3.5 \times 25$  29Pcs
- ⑤  $\phi 3 \times 20$  7Pcs

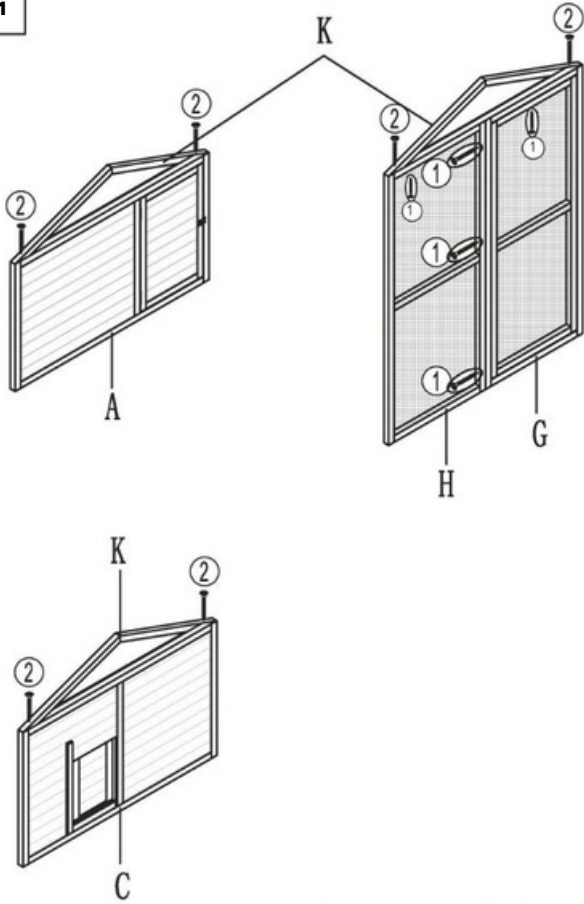
**BOLZEN UND MUTTERN**

- ⑥  $M6 \times 55$  4Pcs
- ⑦  $M6 \times 65$  4Pcs



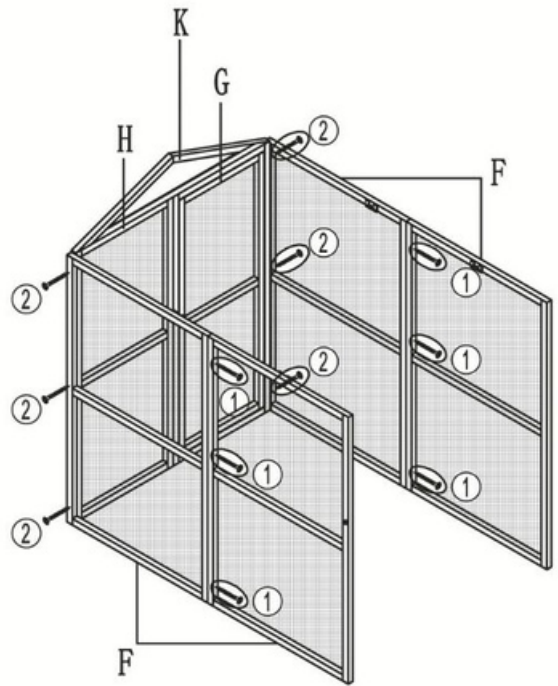
A	B	C	D	E	F x 4
G	H	I	J	K x 3	L x 2
M	N	O	P	Q	R
S	T x 2	U x 2	V x 2	W x 4	

**SCHRITT-1**



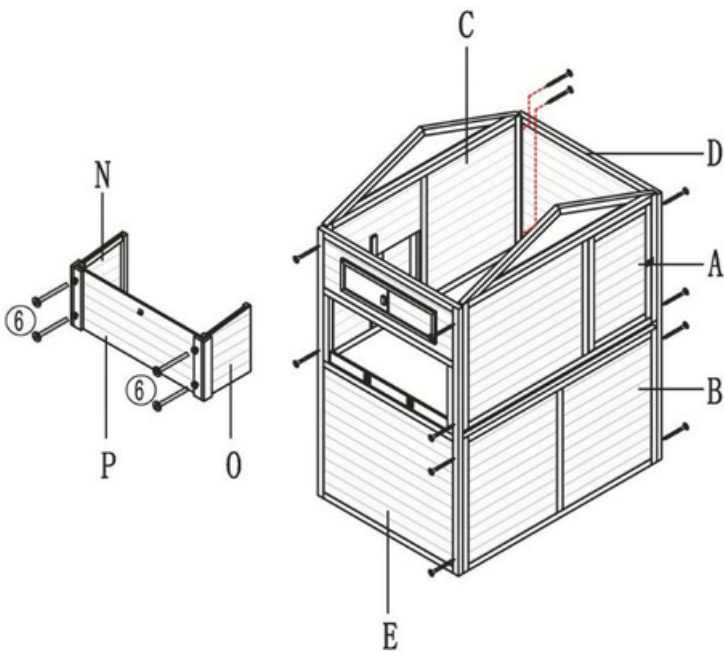
- ①  $\phi 3.5 \times 70$  5Pcs
- ②  $\phi 3.5 \times 60$  6Pcs

**SCHRITT-2**



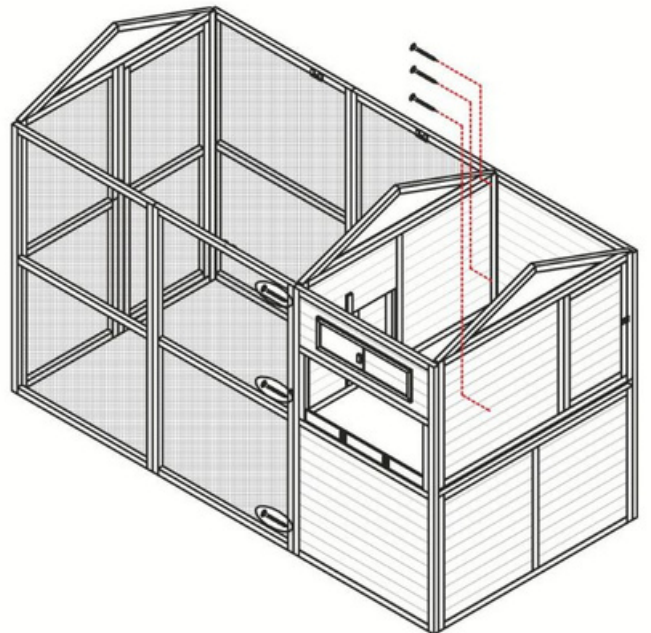
- ①  $\phi 3.5 \times 70$  6Pcs
- ②  $\phi 3.5 \times 60$  6Pcs

**SCHRITT-3**



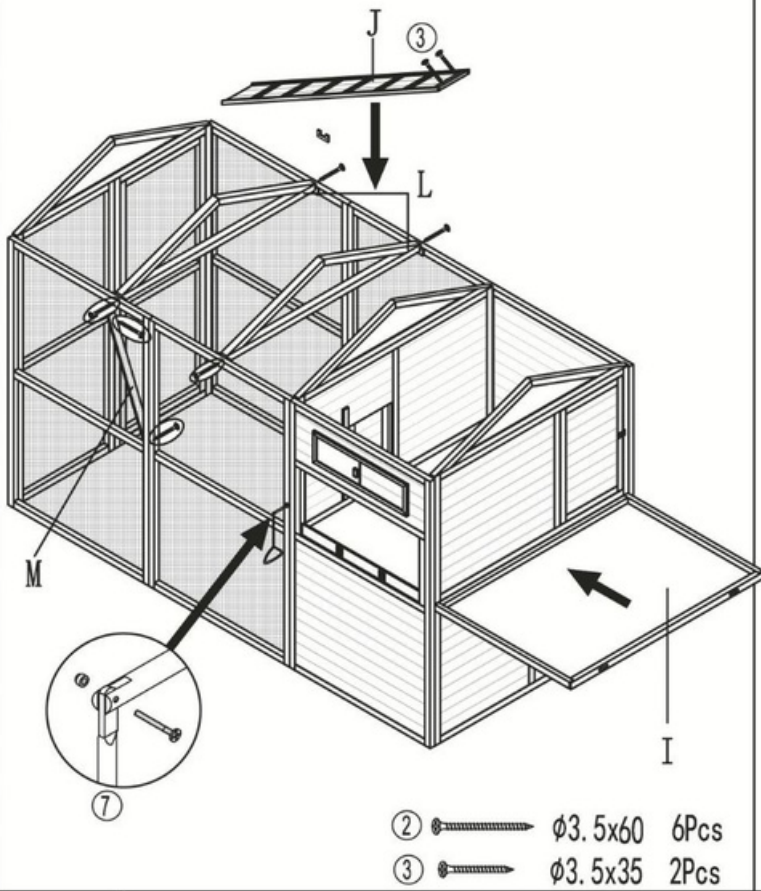
- ①  $\phi 3.5 \times 60$  12Pcs
- ⑥ M6x55 4Pcs

**SCHRITT-4**

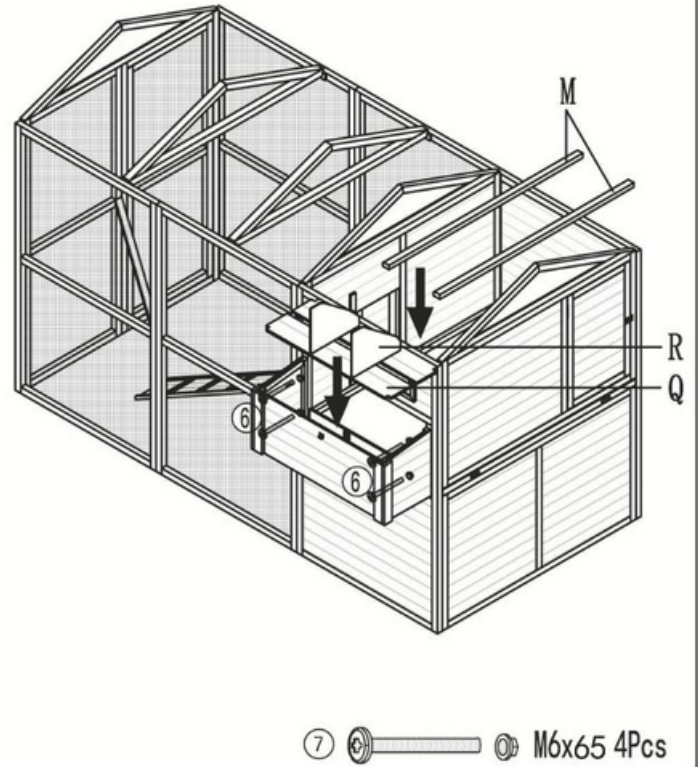


- ①  $\phi 3.5 \times 70$  6Pcs

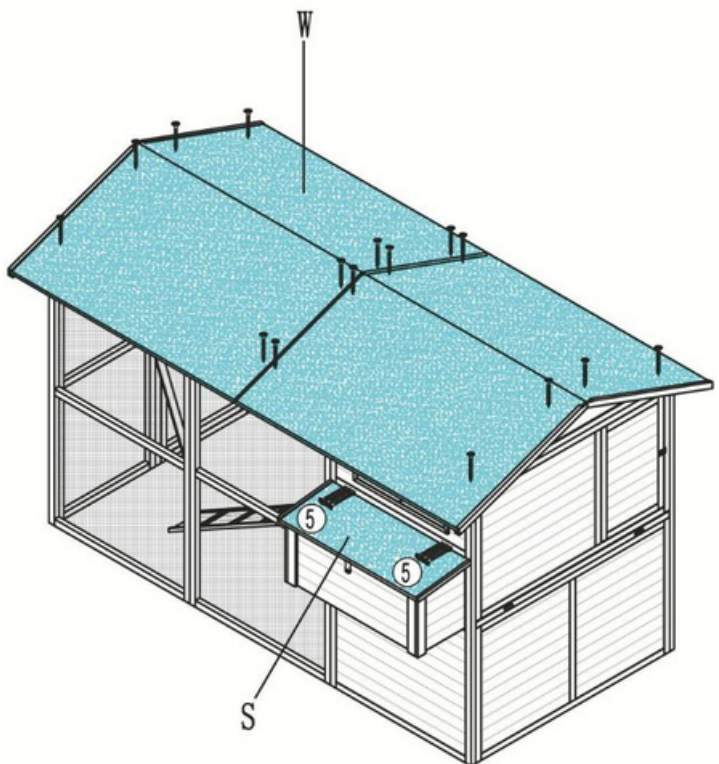
**SCHRITT-5**



**SCHRITT-6**



**SCHRITT-7**



**SCHRITT-8**

